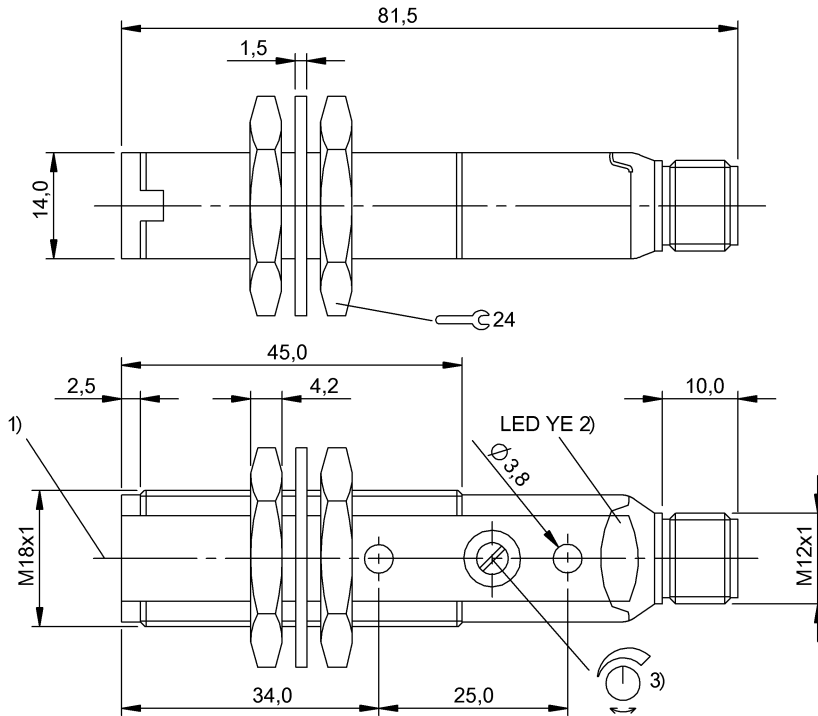
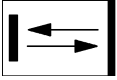


BOS 18KF-PA-1LOC-S4-C
Ordering code: BOS00JP

Diffuse sensor
 Series 18KF
 Working Range: 0...350 mm

PNP (2x), NO-NC (pins 4-2)
 Laser red light, Laserklasse 1
 DC, direct current

BALLUFF
 sensors worldwide



1) Optical axis, 2) Output function, 3) Sn

Characteristic data

| | |
|-------------------------------------|--------------------------|
| Operating voltage | 10...30 V DC |
| Connection | Connector, M12x1-S04 |
| Switching freq. f max. | 1000 Hz |
| Indicator | Output function - LED YE |
| Setting | Switching distance (Sn) |
| Adjuster | Potentiometer 270° (1x) |
| Short-circuit protected | yes |
| Protected against polarity reversal | yes |
| Enclosure Type per IEC 60529 | IP67 |
| Protection class | II |

Optical data

| | |
|--------------------------------|--------------------------|
| Principle of optical operation | Light scanner, energetic |
| Switching function, optical | NO light-on - NC dark-on |
| Light type | Laser red light |
| Wavelength | 650 nm |
| Ambient light max. | 5,000 Lux |
| Laser class per IEC 60825-1 | 1 |
| Average power Po max. | < 390 µW (IEC 60825-1) |

Electrical data

| | |
|-------------------------------|------|
| Rated operating voltage Ue DC | 24 V |
|-------------------------------|------|

| | |
|--------------------------------|------------------|
| Effective operating current Ie | 100 mA |
| Rated insulation voltage Ui | 75 V DC |
| Ripple max. (% of Ue) | 8 |
| Switching output | PNP (2x) |
| Switching function | NO-NC (pins 4-2) |
| Turn-off delay toff max. | 0,33 ms |
| Turn-on delay ton max. | 0,33 ms |
| No-load current max. Io at Ue | 35 mA |
| Voltage drop Ud max. (at Ie) | 2 V |

Mechanical data

| | |
|----------------------------|--------------------------------|
| Eff. switching distance Sr | 350 mm |
| Capture range Sd | 0...350 mm |
| Beam characteristic | Divergent |
| Range Sn | Sn = 350 mm, adjustable |
| Minimum operating distance | 0 mm |
| Connector type | M12x1-S04 |
| Sensing surface material | PMMA |
| Housing material | PBT |
| Mounting type | Nut M18x1 Screw M3 |
| Design | Flat cylinder, straight optics |
| Ambient temperature | -10...50 °C |
| Tightening torque | 1.5 Nm |

BOS 18KF-PA-1LOC-S4-C
Ordering code: BOS00JP

Diffuse sensor
Series 18KF
Working Range: 0...350 mm

PNP (2x), NO-NC (pins 4-2)
Laser red light, Laserklasse 1
DC, direct current

BALLUFF
sensors worldwide

Basic data

Basic standard IEC 60947-5-2
The sensor is functional again after the overload has been eliminated.
Reference object (target): Gray card, 200 x 200, 90 % remission, axial approach.
For additional information, refer to user's guide.
Order accessories separately.

