

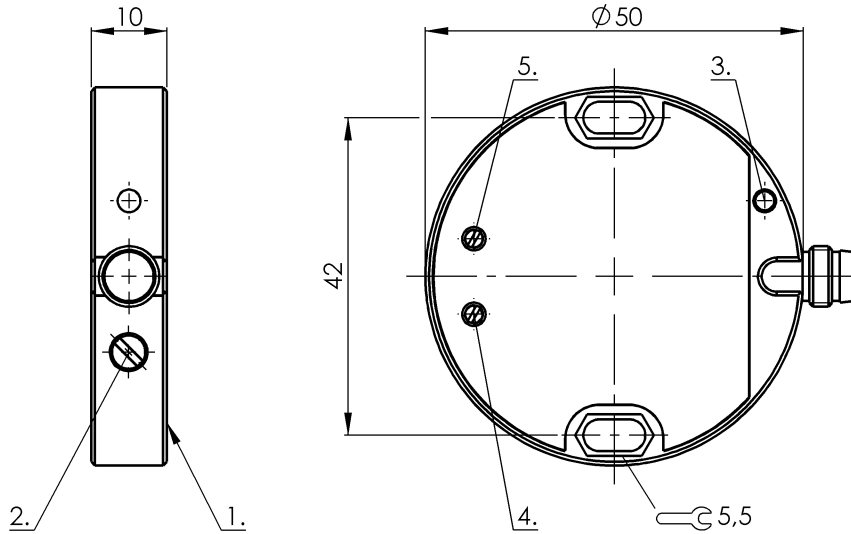
BCS D50O03-YPC25C-S49G
Ordering code: BCS003L

Capacitive sensor
 Ø 50

BALLUFF

sensors worldwide

Connector, M08x1-S49
 Working range 2...25 mm
 Output signal PNP/NPN, Output pro-
 grammable



1) Active surface, 2) Pot, 3) LED function indicator, 4) NO or NC selectable, 5) PNP or NPN selectable

Characteristic data

Trade name / Technology	Standard
Short-circuit protected	Yes
Protected against polarity reversal	
Protected against miswiring	Yes

Electrical data

Electrical version	DC, direct current
Operating voltage	10...30 V DC
Effective operating current I _e	150 mA
Rated insulation voltage U _i	75 V DC
Voltage drop static max.	1,5 V
Ripple max. (% of U _e)	10
Switching freq. f max.	50 Hz
Hysteresis H max. (in % of Sr)	20 %

Mechanical data

Rated operating distance S _n	25 mm
Temp. drift max. (% of Sr)	20
Ambient temperature	-30...60 °C
Housing material	POM
Sensing surface material	POM
Cover material	POM
Repeat accur. R max. (% of Sr)	2 %

Basic data

Enclosure Type per IEC 60529	IP65
Basic standard	IEC 60947-5-2
Utilisation category	DC 13

Remarks

For flush-mounting use only locking M8 connector



IND. CONT. EQ. 81U2
 for use in the secondary of
 a class 2 source of supply

