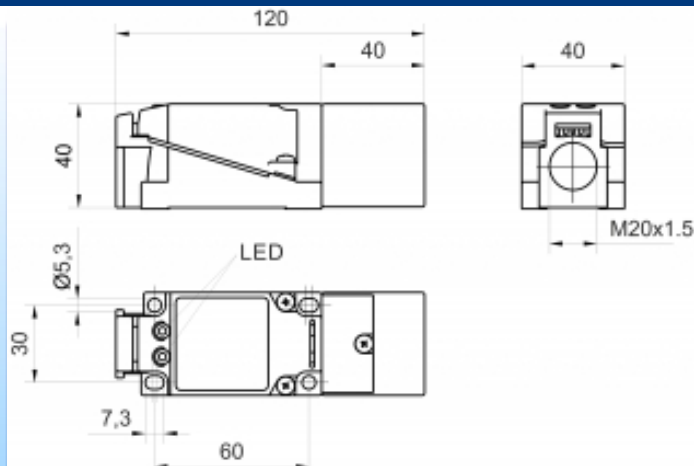
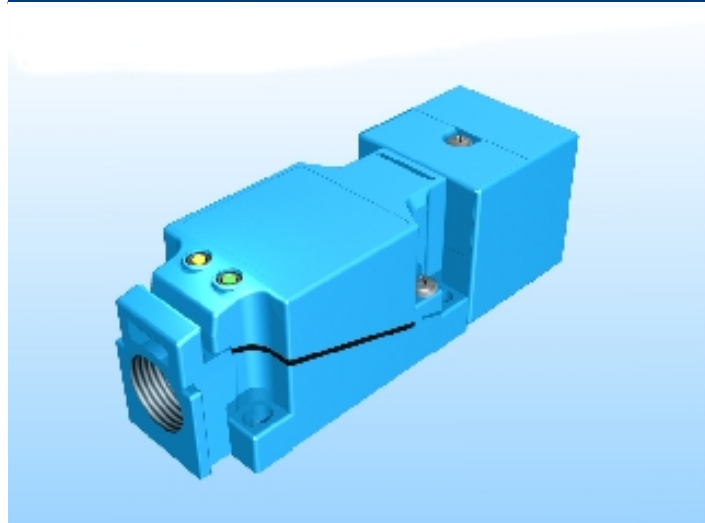




[Article Page](#)

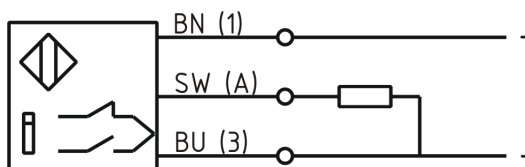
**Product Description**

**inductive sensor DC**



Name	KJ15-Q40KB-DPU
Order number	08317633000
Matchcode	9863-3000
Switching distance	15 mm
Mounting	 shielded
Switch type	 Switchable
Signal Type	DC PNP
Connection	Terminal

Connection diagramm



Dimension (in mm)	Q 40 x 40 x 120
-------------------	-----------------

**Technical Specification**

Operating voltage	10 - 30 V DC
Max. ripple	≤ 10 %
Voltage drop	2,4 V
Max. load current	400 mA
No load current	≤ 34 mA
Leakage current	≤ 10 µA
Switching frequency	150
Switching hysteresis	≤ 20 %
Operating temperature	-25 ° C to 70 ° C

Temperature drift	≤ 10 %
Repeat accuracy	≤ 5 %
Operating state	LED
Swiching state	LED
Short-circuit proof	yes
Overload protection	yes
Reverse voltage protection	yes
Protection category	IP67
EMC-level	DIN EN 60947-5-2: 2008
Housing material	Trogamid
Utilisation category	DC 13
Termination	Terminal 1,5mm <sup>2</sup>

**Errors and omissions exceptet**