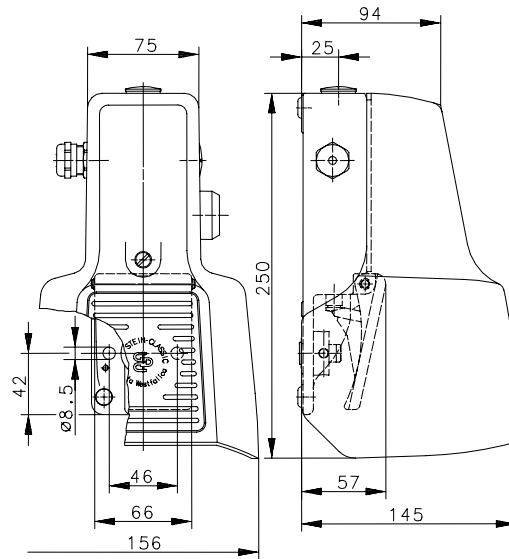


Foot-switch

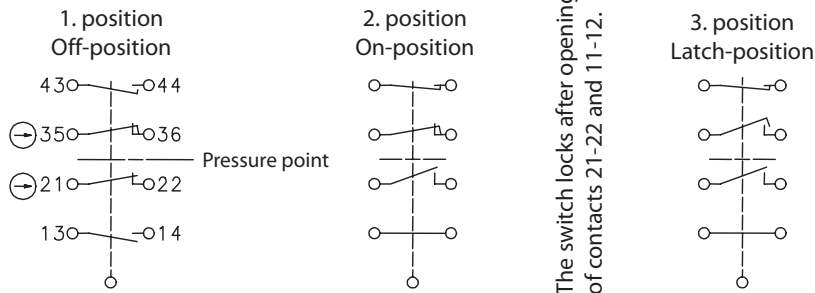
Series F1

Description **F1-SU1ZUV1ZDR UN**

Article number **6161000560**



**Switching symbol
(Three-Step-Safety Switch with latch „Off-On-OFF)**



Electrical Data

Rated insulation voltage	U_i	400 V AC
Conv. thermal current	I_{the}	10 A
Rated operational voltage	U_e	240 V
Utilization category		AC-15, U_e / I_e 240 V AC / 3 A
Direct opening action	\ominus	acc. to IEC/EN 60947-5-1, annex K
Short-circuit protective device		Fuse 2 A gG
Protection class		I

Mechanical data	
Enclosure	AL, die-cast
Protective guard (Accident protection cover UN)	AL, die-cast
Actuator	Foot lever (PA)
Ambient air temperature	-30 °C to +80 °C
Contact type	2 NC, 2 NO. (Zb)
Operating force (pedal centre)	≈ 10 N (pedal centre)
Pressure point	≈ 200 N
Mechanical life	
Sequence of the switching position: Off, On, Off	3 x 10 ⁶ operating cycles
or: Off, On, Latch, Off	1 x 10 ⁶ operating cycles
Switching frequency	max. 50/min
Assembly	2 x M8
Connection	screw connections (M3,5)
Number of connections	8
Protection ground	2 x M4
Conductor cross-sections	Solid: 0,5 ... 1,5 mm ² Litz wire with ferrules: 0,5 ... 1,5 mm ²
Cable entrance	2 x M20 x 1,5 ; 1 x cable gland M20 x 1,5 (clamping-range 6 – 12 mm);
Weight	≈ 1,5 kg
Protection type	IP65 in accordance with IEC/EN 60529

ID for safety engineering	
B10d	2 x 10 ⁶ Schaltspiele

Regulations	
	VDE 0660 T100, DIN EN 60947-1, IEC 60947-1
	VDE 0660 T200, DIN EN 60947-5-1, IEC 60947-5-1
	DIN EN ISO 13849-1

EU Conformity	
	acc. to directive 2006/42/EG

Approvals	
	DGUV
	cCSA _{US} A300 (same polarity)
	CCC

Function

Three-stage safety switch with latching

The safety contact element consists of two adjoining switching systems which guarantee a normal work flow and in the case of an emergency the safety function "emergency-stop".

1. The normal work flow is initiated by pressing down the pedal to the pressure point, whereby the contacts 43 – 44 and 13 – 14 are closed one after the other.
2. In an emergency, the pedal is fully depressed (beyond the pressure point). The normally closed contacts 35 - 36 are force disconnected stopping the machine, simultaneously the latch engages and holds the contacts 35 - 36 in this "Emergency stop" status, preventing an unauthorised re-start of the machine.

Safety for man and machine!

3. Only after releasing the latch, by pressing the push button mounted in the side of the footswitch body, do the contacts reset allowing normal operation to resume. The 1. position (Off-position) is restored.

The working process continues.

Notes

The degree of protection specified (IP code) applies only to a properly closed protective guard and the appropriate cable is used, in accordance with the clamping range of the above mentioned cable gland.